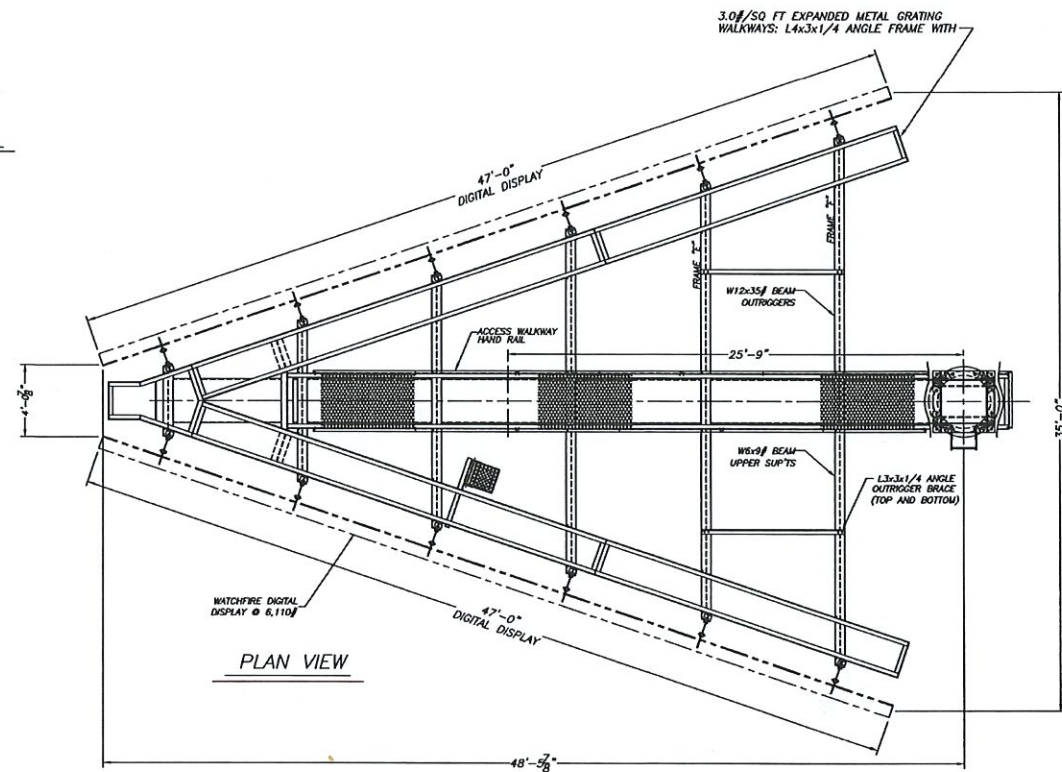
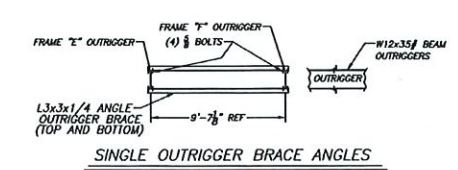
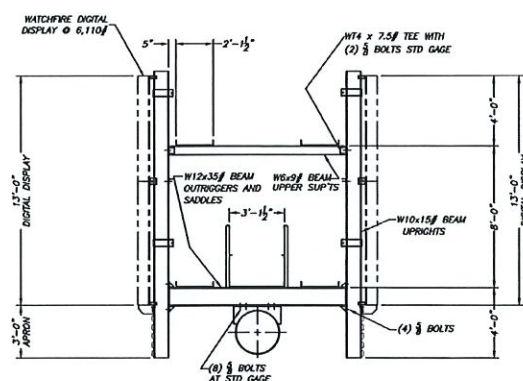
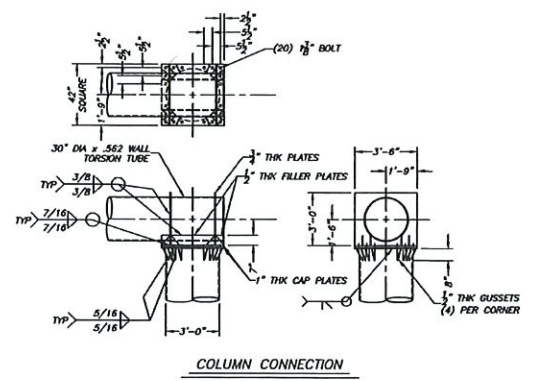
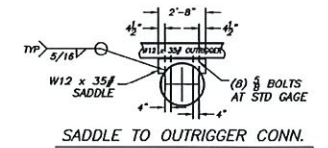
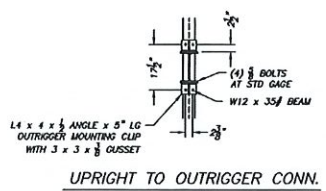
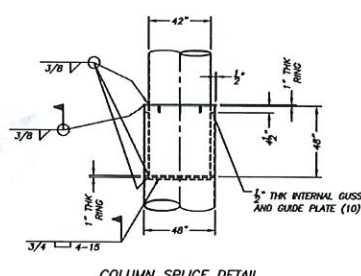
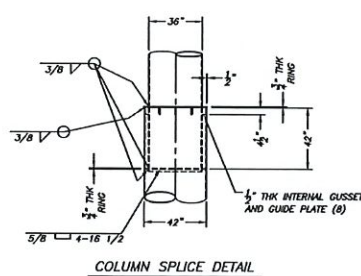
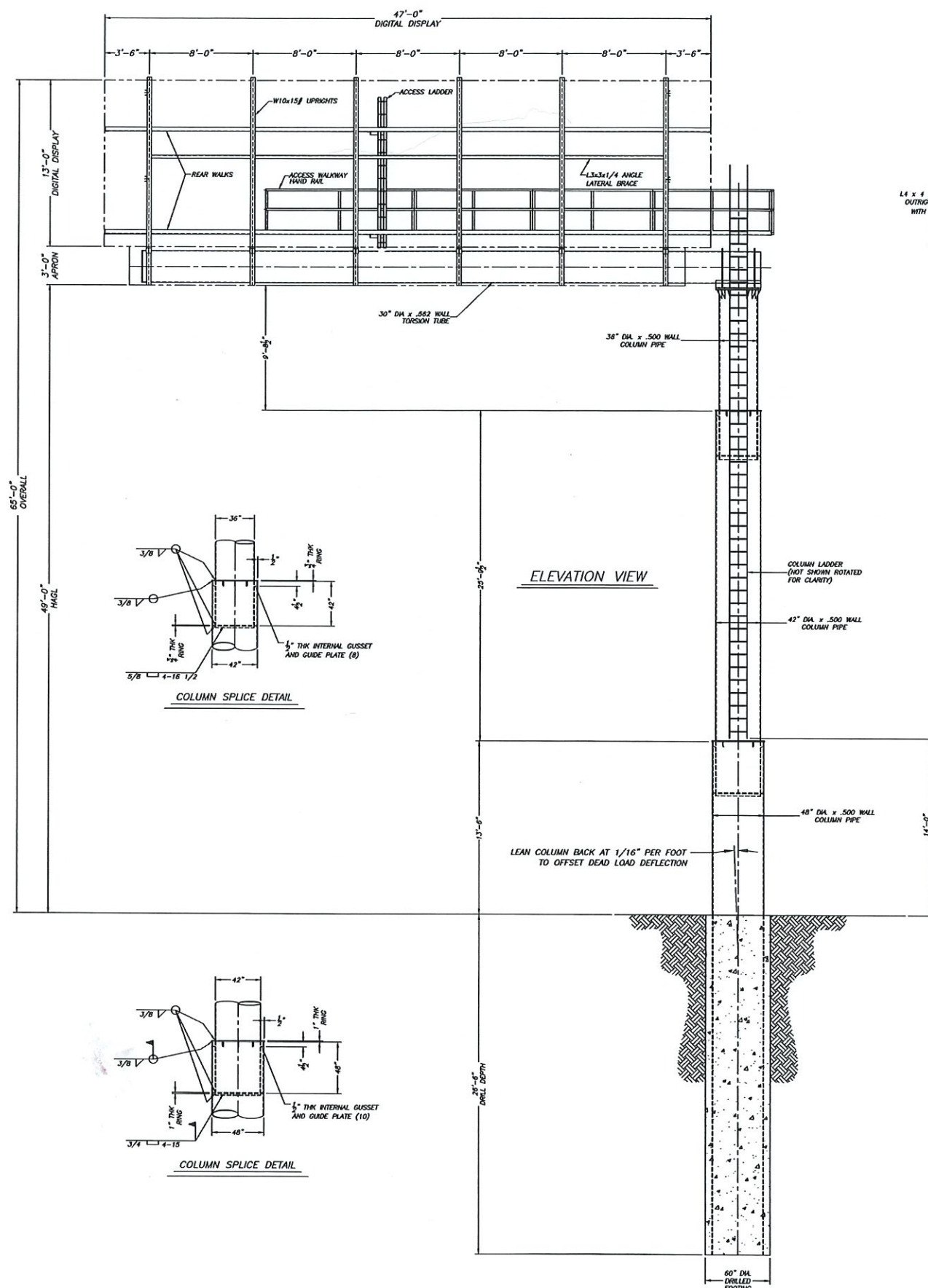


REV.	CHANGE	BY	DATE
A	REVISED DIGITAL FROM 13'-0" x 47'-0" (212.25 SQ. FT.)	PP	11/23/20



- SPECIFICATIONS:**
- STEEL ROLLED "W" BEAM SECTIONS: ASTM A992
  - ALL OTHER STEEL ROLLED SECTIONS: ASTM A36
  - PIPE SECTIONS: A.P.I. 5L X52
  - BOLTS: MINIMUM 1/2" DIAMETER UNC. ALL BOLTS GRADE F3125 A325 UNLESS OTHERWISE SPECIFIED.
  - CONCRETE: 3000 P.S.I. @ 28 DAYS.
  - HORIZONTAL SOIL PRESSURE: 300#/FT<sup>2</sup>/FT.
  - THIS DESIGN MEETS THE REQUIREMENTS OF THE 2015 INTERNATIONAL BUILDING CODE FOR 115 M.P.H. (3 SEC GUST) WIND SPEED, RISK CATEGORY II AND EXPOSURE "C".
  - ALL WELDING SHALL BE IN ACCORDANCE WITH AWS STANDARDS USING E-70 ELECTRODES.
  - ALL WALKWAYS TO HAVE SAFETY CABLES
  - REINFORCING BAR: ASTM A-615 GRADE 60 (REBAR IS NOT REQUIRED IF FIBER REINFORCED CONCRETE IS USED.)
  - WIND LOADING EXCEEDS SEISMIC LOADING.
  - DESIGNED FOR WEIGHT OF (2) DIGITAL UNITS @6735#/EA.

STEPHEN C. HOFFMAN  
ENGINEER  
No. 87262  
PENNSYLVANIA

*Stephen Hoffman*  
11/23/20

**PRODUCTIVITY FABRICATORS**

SCALE: NONE  
DATE: 11/11/20

1473 DUNWOODY DRIVE  
WEST CHESTER, PA 19380

DRAWN BY:  
S. DUNCAN

13' x 47' FLAG, 35'V, 65'-0" OVERALL

DUNWOODY DRIVE OUTDOOR LLC  
DRAWING NUMBER 66-9665